

# In-Line pH and ORP Electrode Fittings without Temperature Compensation

## Product Instructions

### Description of Parts

**FC66P** Mounting Gland used with Model S660CD or S660CD-ORP electrodes (20% glass-filled polypropylene)

**FC67P** 1 each Gland (FC66P) and 1 each 1" x 3/4" reducing bushing (SCH80 CPVC) used with model S661CD or S661CD-ORP electrodes.

**FC68P** 1 each Gland (FC66P) and 1 each 2" x 3/4" reducing bushing (SCH 80 CPVC) used with model S662CD or S662CD-ORP electrodes.

**S653** Cap and cable assembly

### Mechanical Installation

Using Pipe Thread Sealing Tape or other pipe thread sealant on the connecting pipe threads and taking care to not over-tighten plastic threads (particularly when screwing male metal pipe into female plastic fittings) proceed as follows:

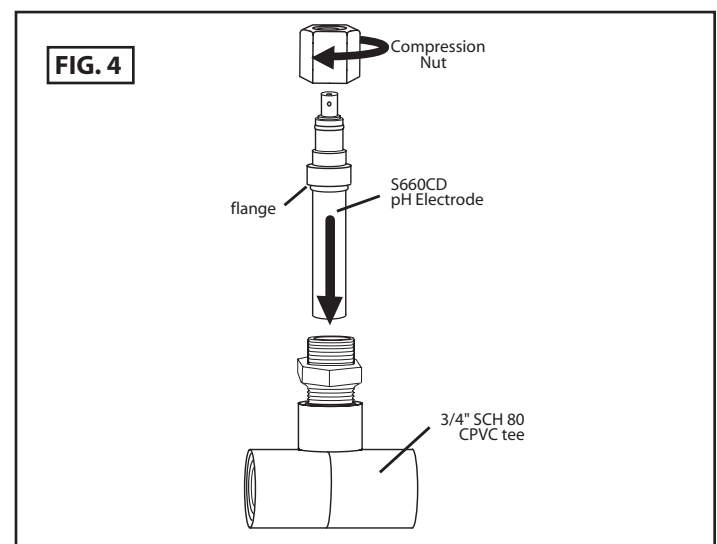
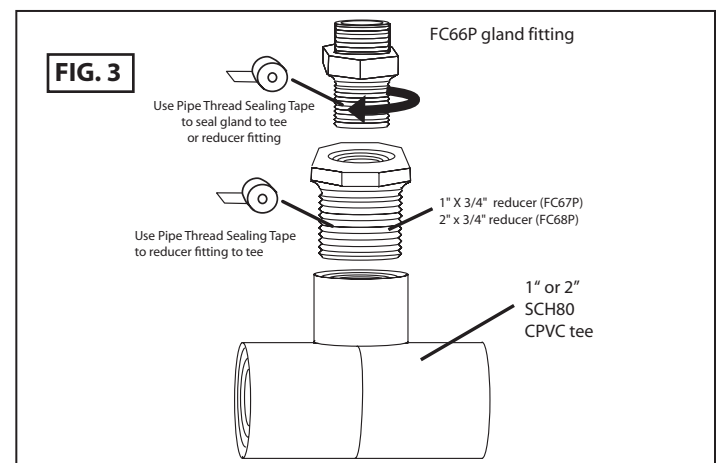
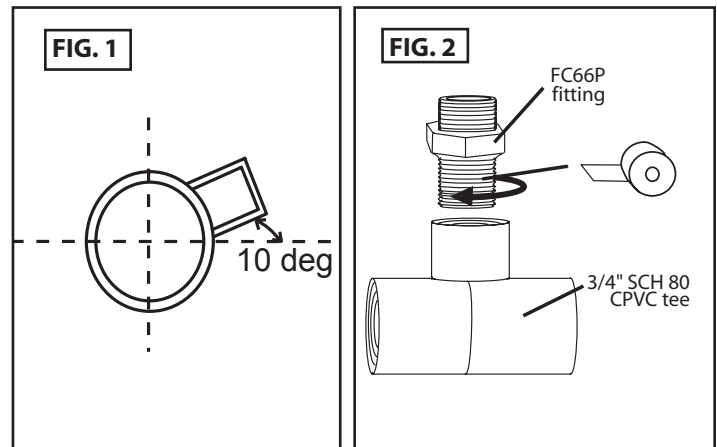
1. Tee Installation: Install modified tee in-line making sure to position tee at least 10 degrees above the horizontal position. Refer to FIG 1.
2. For FC66P Only: Install tee (user supplied). Next install gland as shown in FIG 2 by first wrapping threads with Pipe Thread Sealing Tape.
3. For FC67P and FC68P: After user-supplied tee is installed, install reducer fitting provided. Tape threads of reducer fitting with Pipe Thread Sealing Tape. Then install gland as shown by first wrapping threads with Pipe Thread Sealing Tape. You will need to remove nut from gland first. Refer to FIG 3.

### Electrode Installation

Install electrode into gland until it stops at flange. The o-ring under the flange serves as the seal (SEE FIG 4).

### Cable Considerations

The grey plastic cap with the recessed BNC connector is fitted onto the electrode's connector as is described in FIG 5 on the next page. The exposed cable should be secured to prevent cable sway. For installing the cable in conduit, use the 1/2" NPT threads on S653 cable cap assembly. Before the main rigid conduit, a short length of flexible, waterproof conduit should be used so that the electrode can be installed and removed from the mounting gland.



### Electrical Installation

The cable assembly connects the electrode to the pH preamplifier, transmitter or meter. It is usually supplied with connector(s) to match those of the pH meter.

